



## **DATRON ToolAssist**

DATRON ToolAssist sets new standards in terms of user friendliness and efficiency. With up to 143 tool slots, DATRON ToolAssist establishes optimum conditions for a greater variety of tools and the use of sister tools in series production. Being the first DATRON tool changer outside the machining area, it is automatically protected from chips and enables ergonomical loading and unloading at any time while operating the machine.

DATRON ToolAssist

# HIGHLIGHTS

## Efficient production

- + Up to 143 tool slots for a greater variety of tools and the use of sister tools in series production
- + Simultaneous loading and unloading of tools during production
- + Intelligent tool supply for fast tool changing

## Reliability

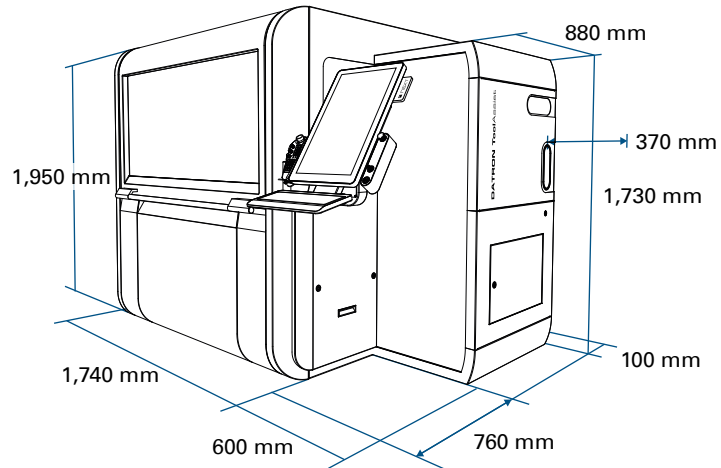
- + Tool magazine protected from dirt and chips
- + Safe tool changing by monitoring of collet chucks
- + Increased availability of the machining system



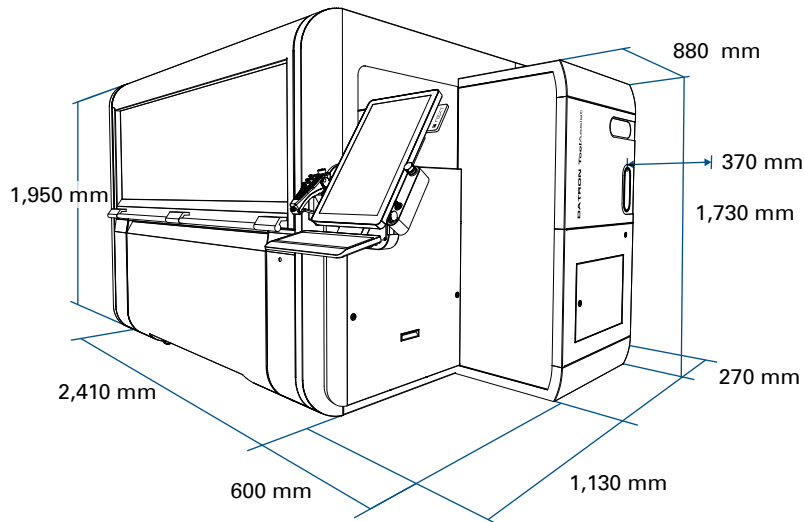
## Innovative operating concept

- + Interactive operation of the machining system guided by the DATRON next control system
- + Intelligent tool organisation
- + Ergonomical replacement of 5 tools simultaneously

## Technical data



**DATRON M8Cube**



**DATRON MLCube**

	DATRON ToolAssist for M8Cube		DATRON ToolAssist for MLCube	
Article number	0A01118C	0A01118B	0A01118E	0A01118D
Number of tool slots	60	143	60	143
Control system	Intelligent tool management of the machining system with the DATRON next control system			
Axis system	Linear pick & place axis system			
Monitoring	Wide range of sensors for user supply, gripper system and machine supply			
User supply	5x tool holder (removable) tipping of up to 5 tools simultaneously during production			
Machine lock	Pneumatic drive, including safety device			
Machine supply	Automatic transfer system to the interior of the machine			
Dimensions (WxDxH)	2,336 mm x 1,740 mm x 1,950 mm		3,016 mm x 2,280 mm x 1,950 mm	
Weight (including machine system)	approx. 1,500 kg		approx. 2,700 kg	

**We look forward to providing you  
with detailed information**  
+49 (0)6151-1419-0



**By email**  
info@datron.de



**or online at**  
www.datron.de

